

GFK-2190
New In Stock!
~~GE Fanuc Manuals~~

<http://www.pdfsupply.com/automation/ge-fanuc-manuals/operator-interface/GFK-2190>

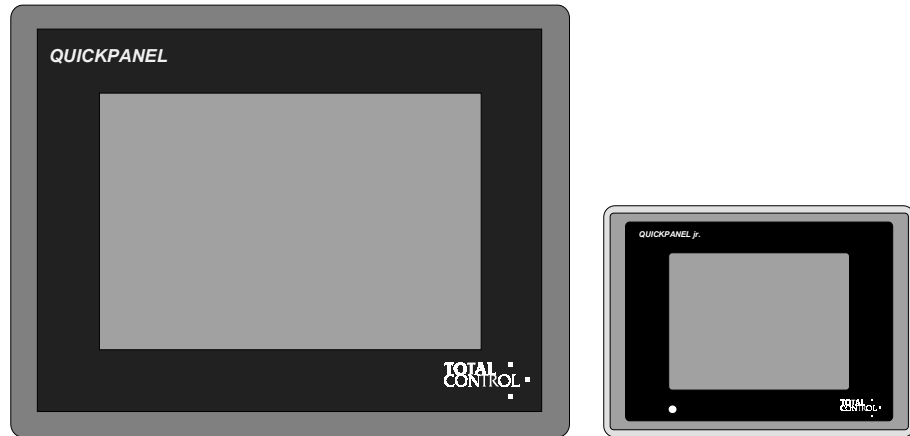
operator-interface
1-919-535-3180

QuickPanel Nema 4X Bezels Installation

www.pdfsupply.com

Email: sales@pdfsupply.com

NEMA 4X BEZELS



QUICKPANEL FAMILY
Bezel Installation Guide
GFK-2190A
October 2002

Warnings, Cautions, and Notes as Used in this Publication

Warning

Warning notices are used in this publication to emphasize that hazardous voltages, currents, temperatures, or other conditions that could cause personal injury exist in this equipment or may be associated with its use.

In situations where inattention could cause either personal injury or damage to equipment, a Warning notice is used.

Caution

Caution notices are used where equipment might be damaged if care is not taken.

Note

Notes merely call attention to information that is especially significant to understanding and operating the equipment.

This document is based on information available at the time of its publication. While efforts have been made to be accurate, the information contained herein does not purport to cover all details or variations in hardware or software, nor to provide for every possible contingency in connection with installation, operation, or maintenance. Features may be described herein which are not present in all hardware and software systems. GE Fanuc Automation assumes no obligation of notice to holders of this document with respect to changes subsequently made.

GE Fanuc Automation makes no representation or warranty, expressed, implied, or statutory with respect to, and assumes no responsibility for the accuracy, completeness, sufficiency, or usefulness of the information contained herein. No warranties of merchantability or fitness for purpose shall apply.

The following are trademarks of GE Fanuc Automation North America, Inc.

Alarm Master	Genius	PROMACRO	Series Six
CIMPLICITY	Helpmate	PowerMotion	Series Three
CIMPLICITY 90-ADS	Logicmaster	PowerTRAC	VersaMax
CIMSTAR	Modelmaster	Series 90	VersaPro
Field Control	Motion Mate	Series Five	VuMaster
GEnet	ProLoop	Series One	Workmaster

**©Copyright 2002 GE Fanuc Automation North America, Inc.
All Rights Reserved.**

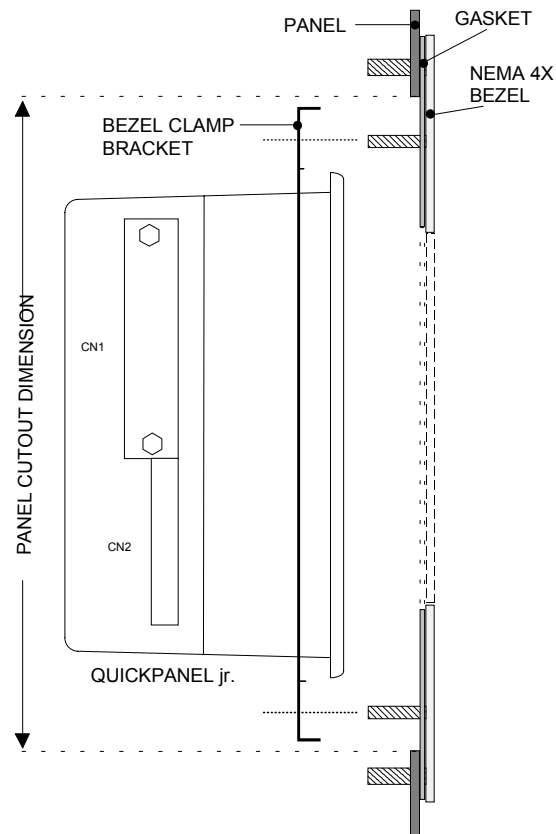
Contents

NEMA 4X BEZELS	4
Bezel Assembly Overview.....	4
Panel Cutout	5
HMI-BEZ-201: Bezel for 5" Displays.....	5
HMI-BEZ-202: Bezel for 9" Monochrome EL	6
HMI-BEZ-203: Bezel for 10.5" Color Displays	7
HMI-BEZ-204: Bezel for 6" Displays.....	8
HMI-BEZ-205: Bezel for 12.1" Displays.....	9
HMI-BEZ-403: Bezel for 10.5" & 12.1" Displays.....	10
HMI-BEZ-406: Bezel for 7.4" Display.....	11
Assembly Procedure.....	12

NEMA 4X BEZELS

Bezel Assembly Overview

The following diagram shows the basic elements of a bezel assembly. The basic assembly is the same for all displays. The display is clamped to the stainless steel bezel by means of a clamp bracket. A full size gasket seals the display to the bezel. The bezel is secured to the panel by 10-32 x .50 threaded studs and nuts. The gasket also seals the bezel assembly to the panel.



Panel Cutout

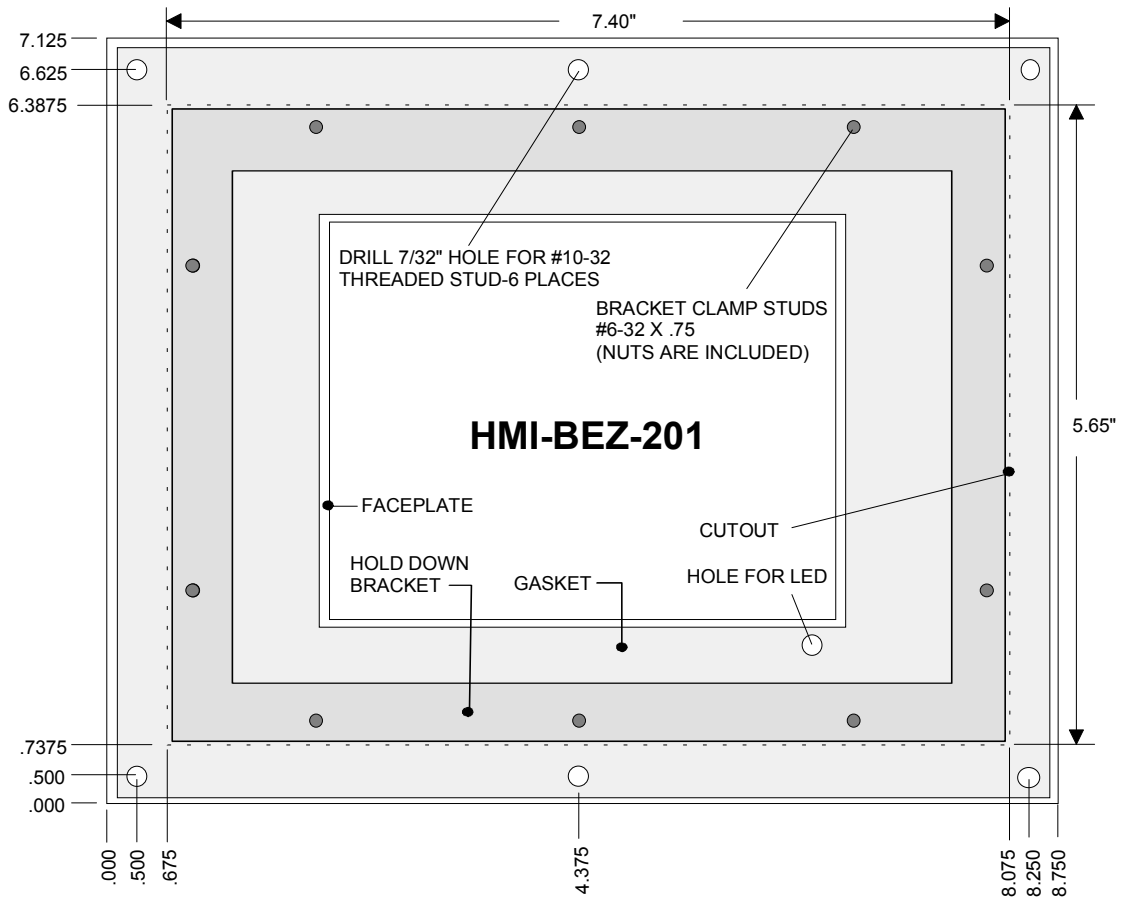
Use the following dimension drawings to layout and cut the opening in your panel. The dashed line in the drawing is the panel cutout. Mark and drill the 7/32" holes for securing the bezel to the panel. Note that the hold down bracket fits inside the cutout.

HMI-BEZ-201: Bezel for 5" Displays

Use the following bezel drawing *ONLY* for the following displays:

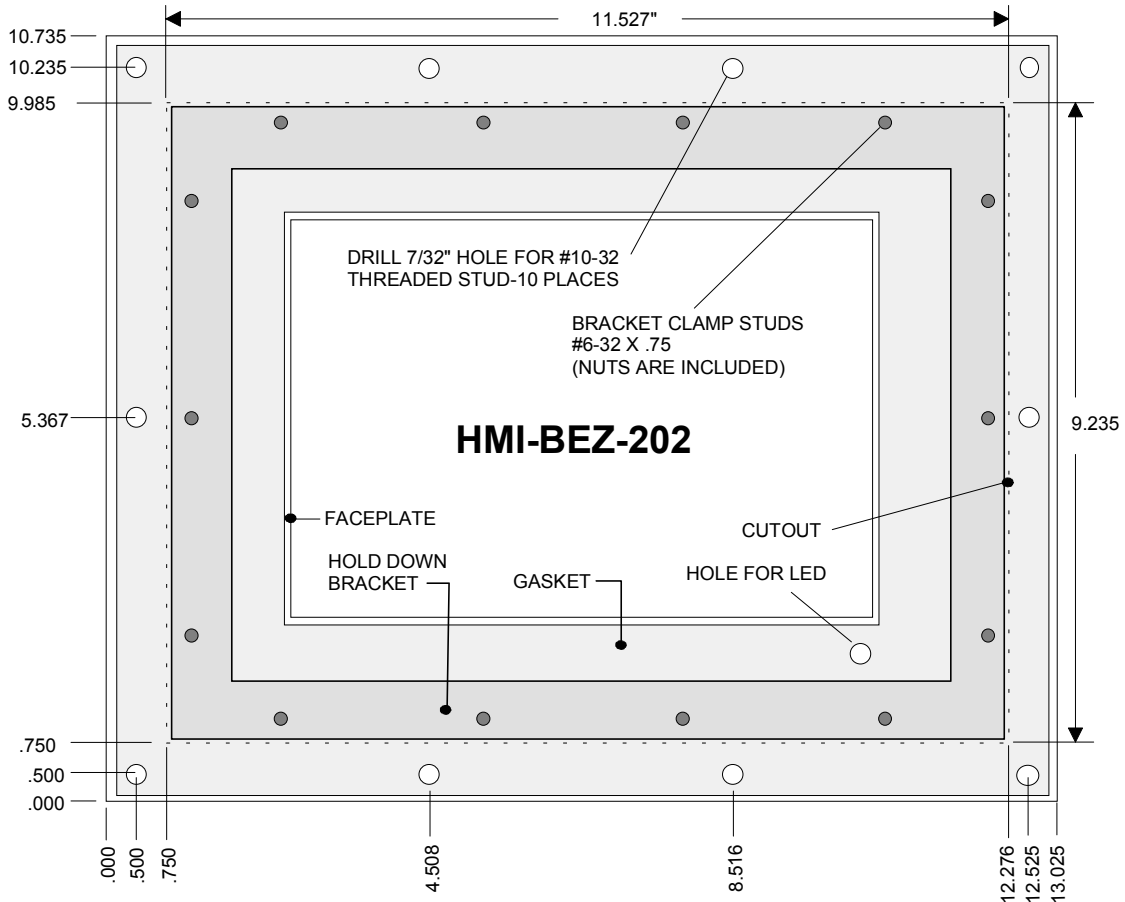
QPJ-2D100-L2P

QPJ-2D100-S2P



HMI-BEZ-202: Bezel for 9" Monochrome EL

Use the following bezel drawing *ONLY* for the following display:
QPI-21100-E2P

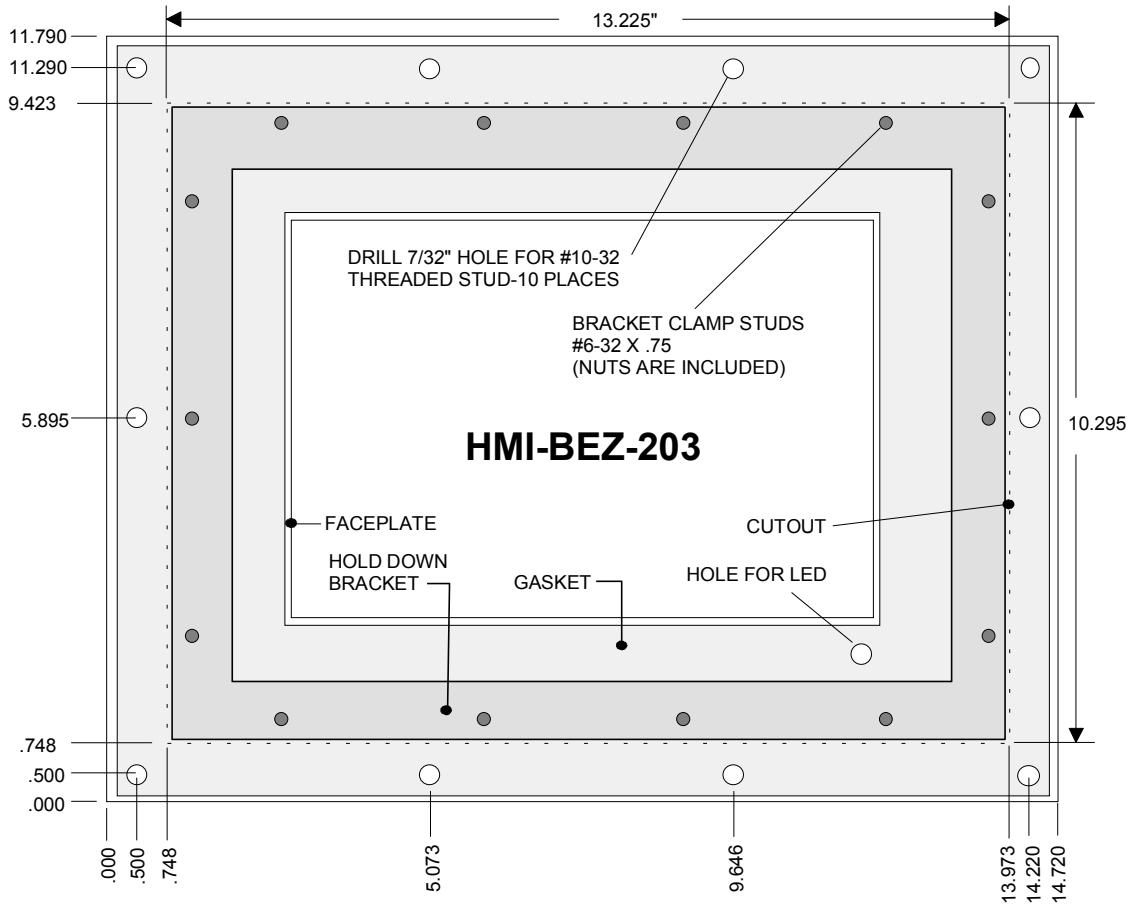


HMI-BEZ-203: Bezel for 10.5" Color Displays

Use the following bezel drawing *ONLY* for the following displays:

QPI-21100-S2P

QPI-21100-C2P

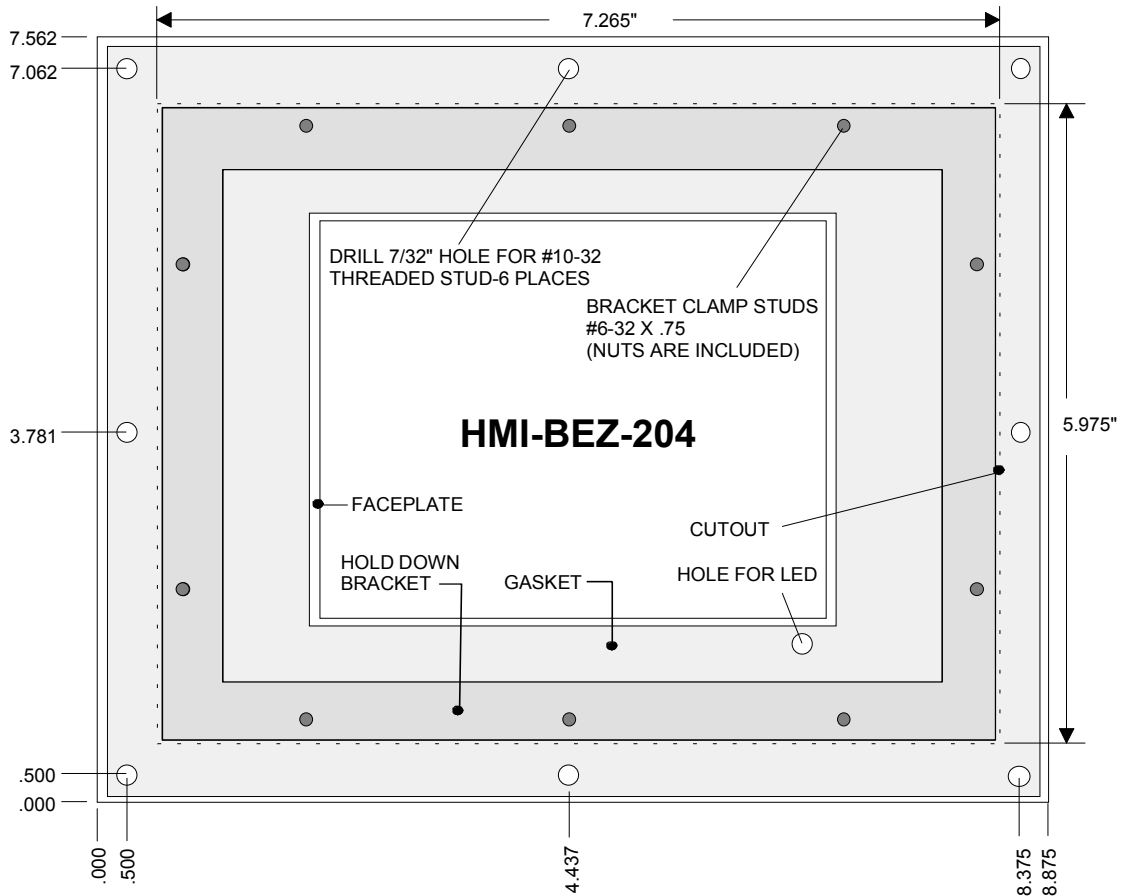


HMI-BEZ-204: Bezel for 6" Displays

Use the following bezel drawing *ONLY* for the following displays:

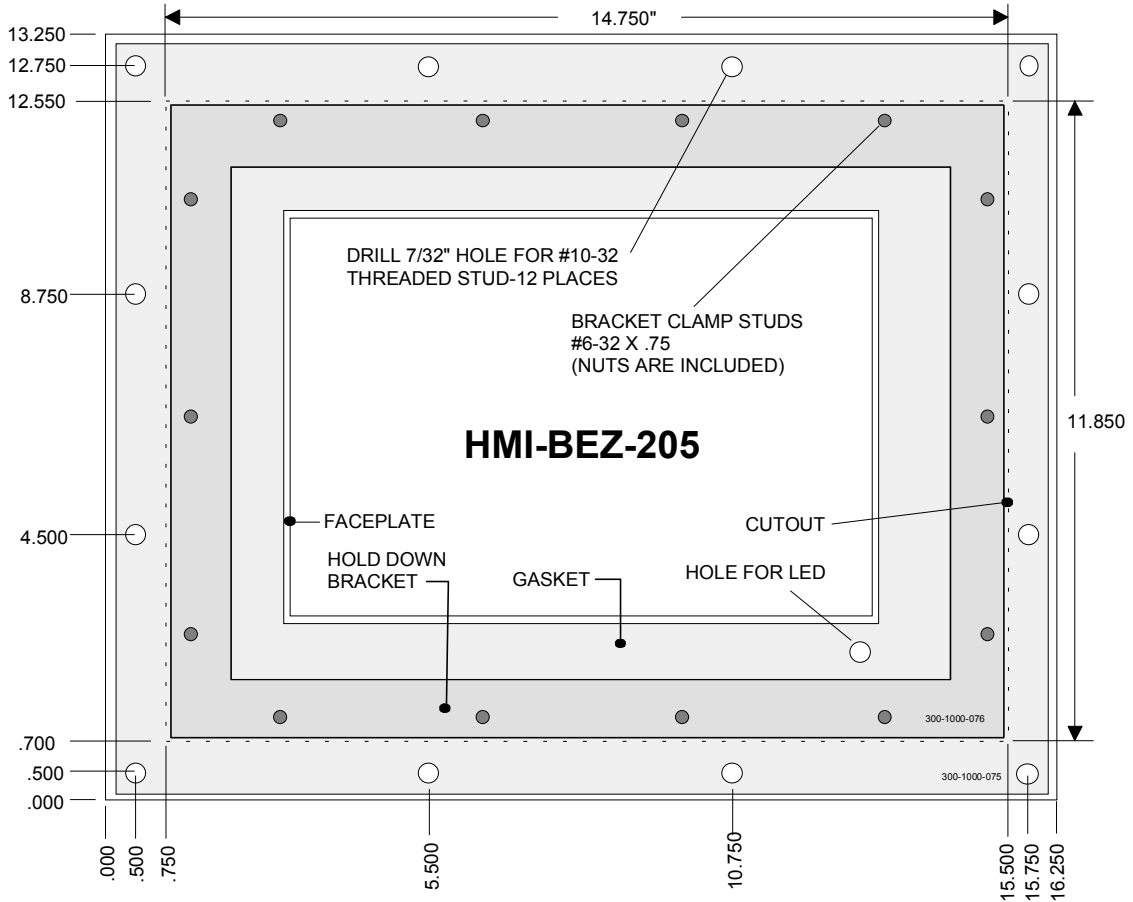
QPK-2D100-L2P

QPK-2D100-S2P



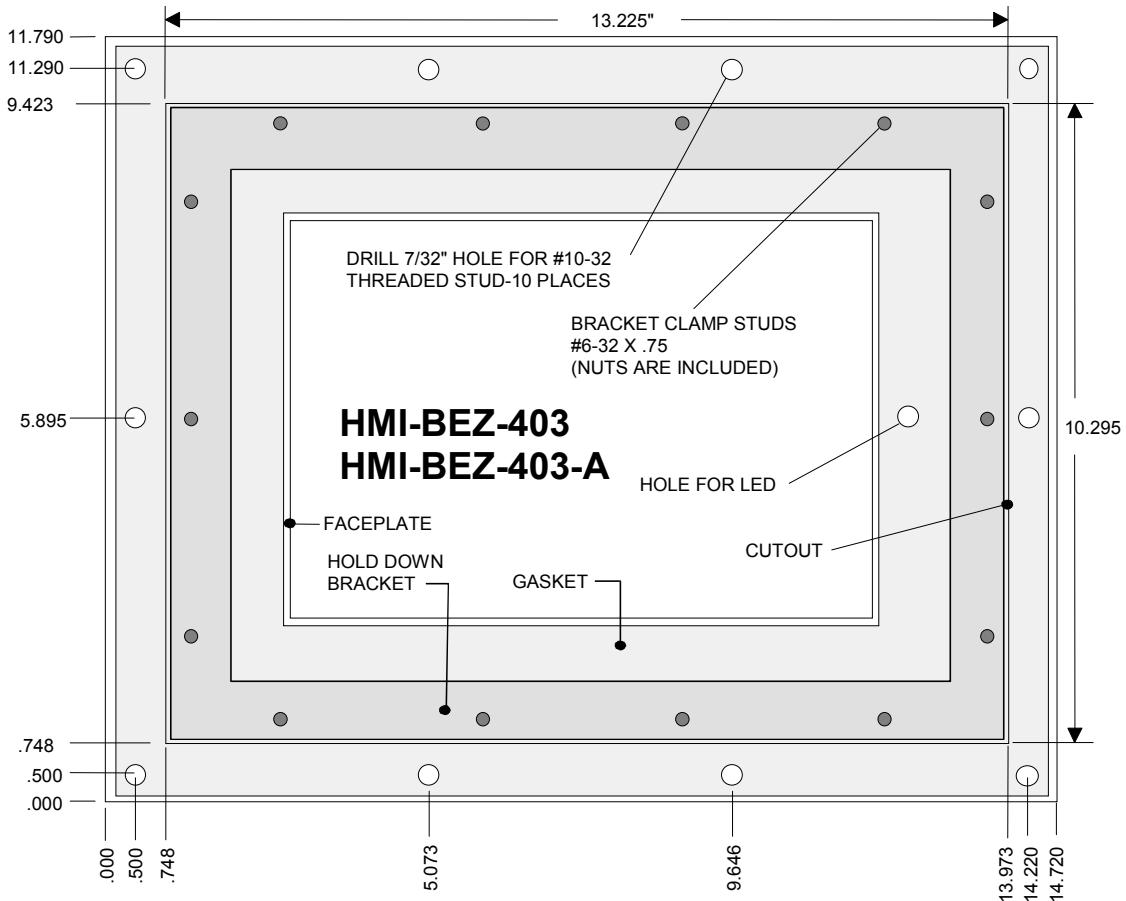
HMI-BEZ-205: Bezel for 12.1" Displays

Use the following bezel drawing *ONLY* for the following display:
QPL-21100-C2P



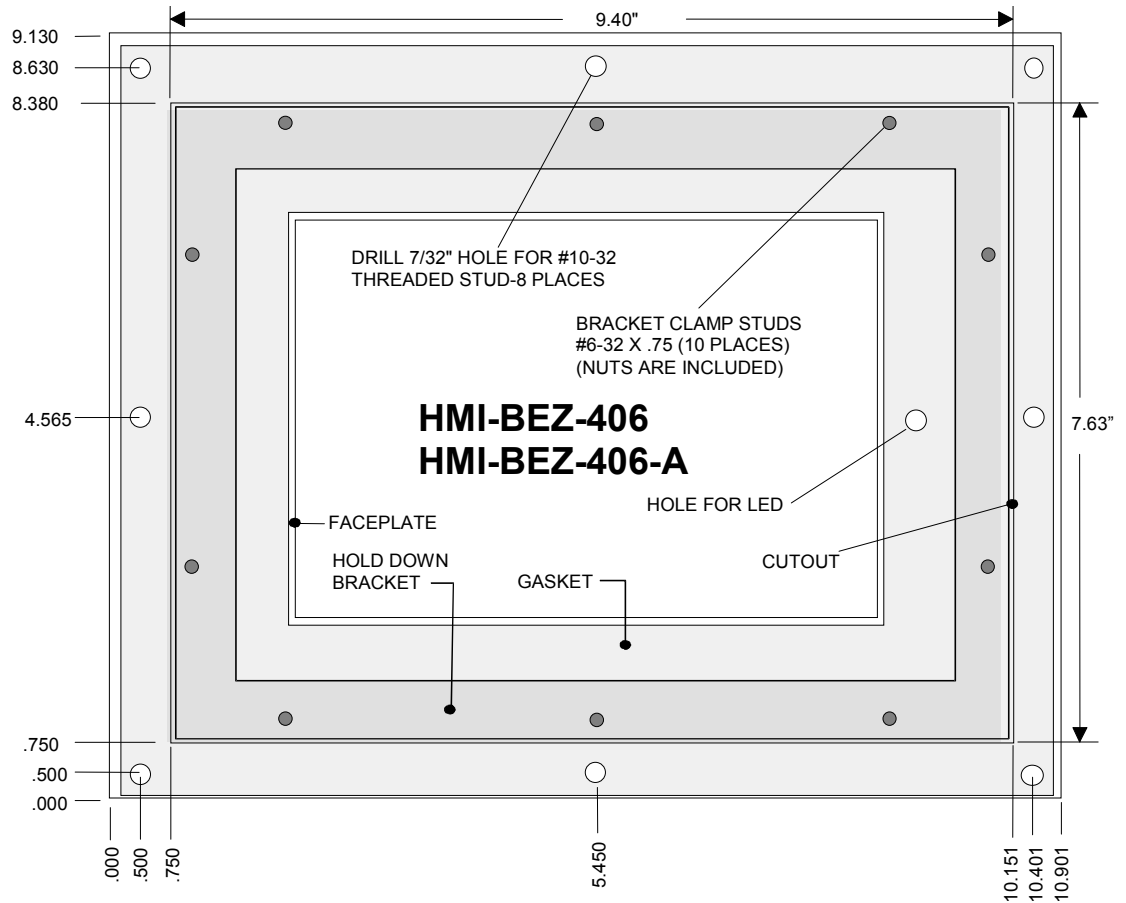
HMI-BEZ-403/403-A: Bezel for 10.5" & 12.1" Displays

Use the following bezel drawing *ONLY* for the following displays:
QPICxxx0000/QPLCxxx0000



HMI-BEZ-406/406-A: Bezel for 7.4" Displays

Use the following bezel drawing *ONLY* for the following displays:
QPGCx Dx0000



Procedure

Place the bezel face down on a non-abrasive surface. Place the display against the gasket and make sure the LED on the faceplate aligns with the hole in the gasket and bezel.

Make sure the LED on the display aligns with the hole in the bezel.

Place the clamp bracket over the display and install the nuts on the studs. Finger tighten the nuts. Check the alignment of the LED hole then tighten the nuts.

Make sure the clamp bracket is positioned as shown in the drawing.

Insert the bezel assembly into the panel cutout and install the 10-32 nuts.

