

IC610MDL129

New In Stock!

GE Fanuc

<http://www.pdfsupply.com/automation/ge-fanuc/ge-series-one-1/IC610MDL129>

Ge Series One 1

1-919-535-3180

In Stock! GE 115Vac Input w/Removable term block (16 points)
IC610M IC610MD IC610MDL

www.pdfsupply.com

Email: sales@pdfsupply.com

**115 V ac Input Module (16 Circuits
With Removable Terminal Board
IC610MDL129**

This module provides 16 circuits each designed to receive a single discrete (ON/OFF) signal from user supplied devices. Typical input devices include limit switches, pushbuttons, selector switches, and relay contacts. The 16 circuits are divided into two groups of 8 circuits each. Each group can be supplied from a separate power source. Power to operate the field devices must also be supplied by the user. Figure 6-64 provides wiring information for this module. Following are specifications for each of the 16 circuits.

a42493

Input Points	16
Operating Voltage	80-132 V ac
AC Frequency	47-63 Hz
Input Current	14.5ma @ 60 Hz
Interconnection	2 groups of 8 circuits each
ON Level	Above 80 V
OFF Level	Below 15 V
OFF to ON Response	5-50 ms
ON to OFF Response	5-60 ms
Circuit Indicator	Logic Side
Internal Power Consumption	64 mA @ 9 V dc (Typ)
Units of Load	10 Units @ 9 V dc
Weight	6.4 oz (180 g)

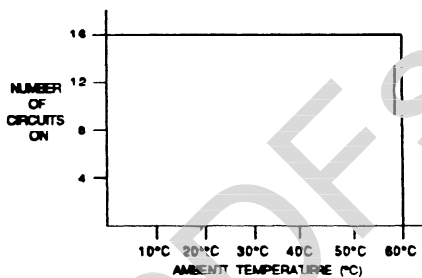
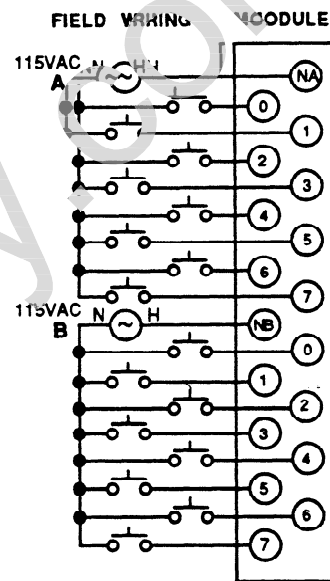


Figure 6-64. I/O Points vs Temperature Chart

a42362

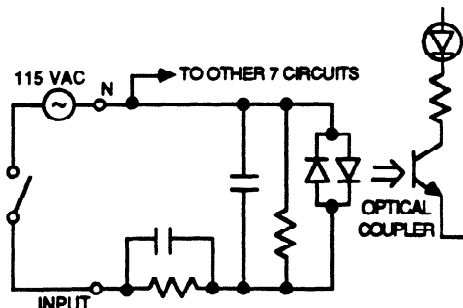


Figure 6-65. Wiring for 115 V ac Inputs with Removable Terminal Board