

IC655MDL552

New In Stock!

GE Fanuc

<http://www.pdfsupply.com/automation/ge-fanuc/ge-series-five-5/IC655MDL552>

Ge Series Five 5

1-919-535-3180

In Stock! GE 12-24Vdc Output, Negative Logic 32 points IC655MD
IC655MD IC655MDL

www.pdfsupply.com

Email: sales@pdfsupply.com

GFK-0123

Wiring Information - IC655MDL552

The following figure provides the information required for connecting user supplied loads and power source to this module.

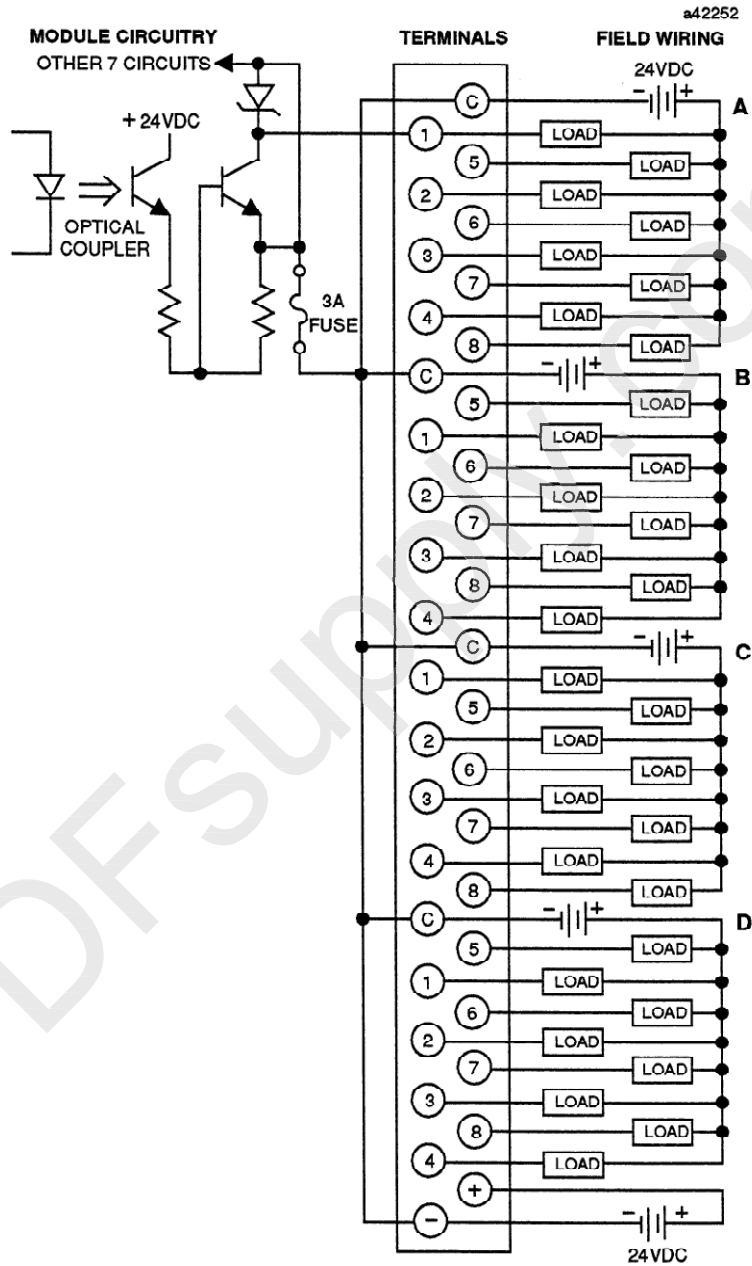


Figure 30. Field Wiring and Typical Circuit for IC655MDL552