

**IC655MDL577**

**New In Stock!**

**GE Fanuc**

<http://www.pdfsupply.com/automation/ge-fanuc/ge-series-five-5/IC655MDL577>

**Ge Series Five 5**

**1-919-535-3180**

GE 115/230 Vac Output 32 points Card IC655M IC655MD  
IC655MDL

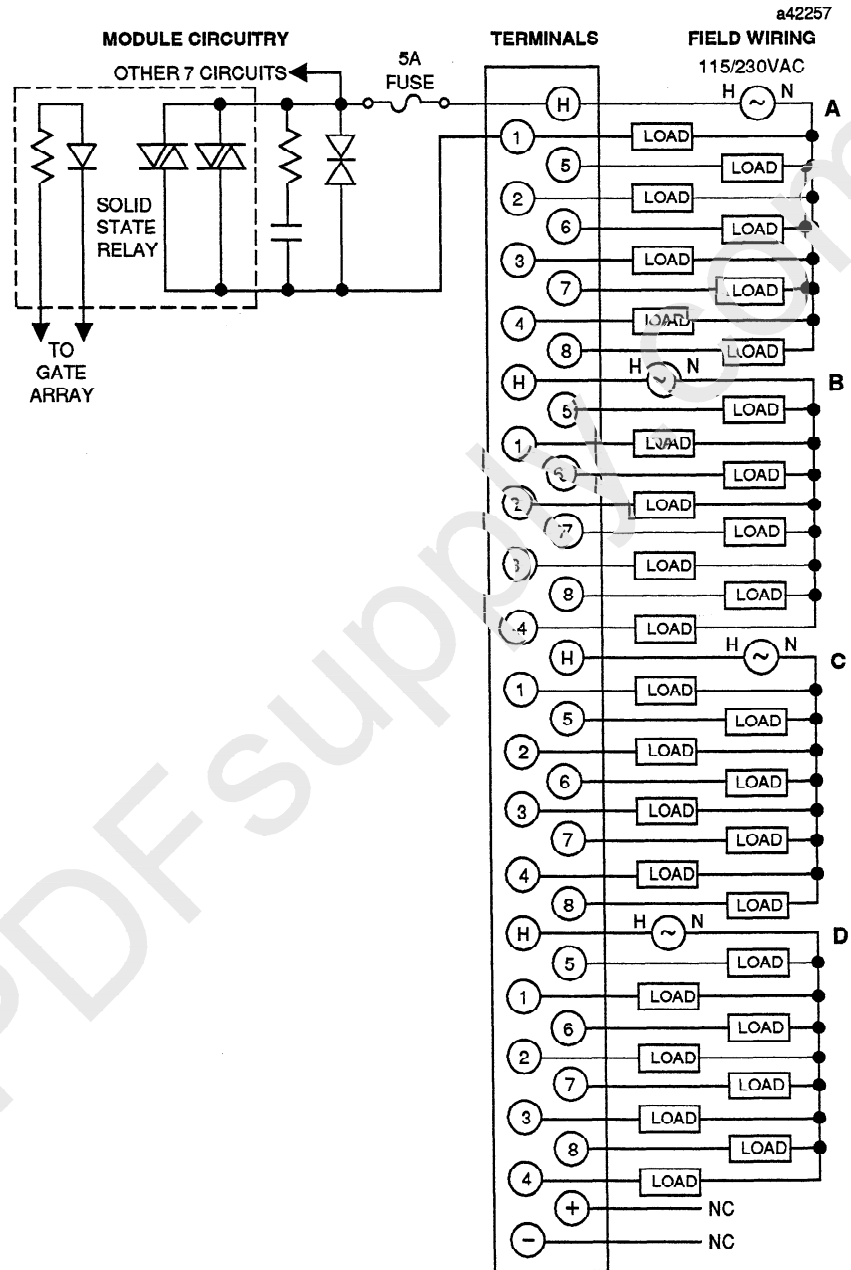
[www.pdfsupply.com](http://www.pdfsupply.com)

**Email:** [sales@pdfsupply.com](mailto:sales@pdfsupply.com)

GFK-0123

**Wiring Information - IC655MDL577**

The following figure provides the information required for connecting user supplied loads and power source to this module.



**Figure 40. Field Wiring and Typical Circuit for IC655MDL577**