

IC693MDL390

New In Stock!

GE Fanuc

<http://www.pdfsupply.com/automation/ge-fanuc/series-90-30/IC693MDL390>

Series 90-30

1-919-535-3180

In Stock! 120/240 Volts ac Isolated Output, 2 Amp IC693M
IC693MD IC693MDL

www.pdfsupply.com

Email: sales@pdfsupply.com

IC693MDL390 Output Module Field Wiring Information

The following figure provides wiring information for connecting user supplied input devices and power source to the 120/240 volt isolated AC output module.

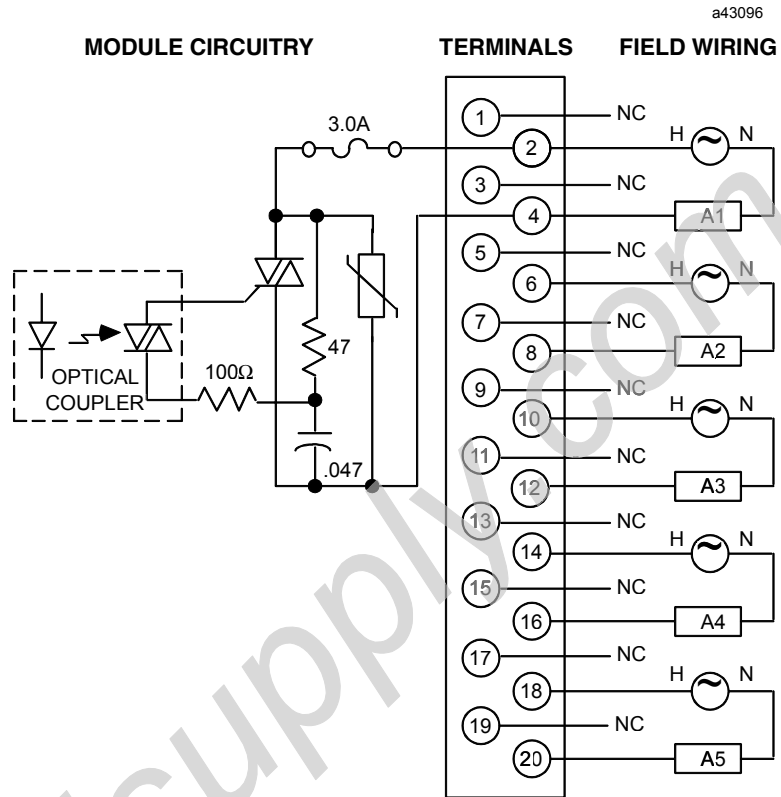


Figure 7-8. IC693MDL390 Output Module Field Wiring

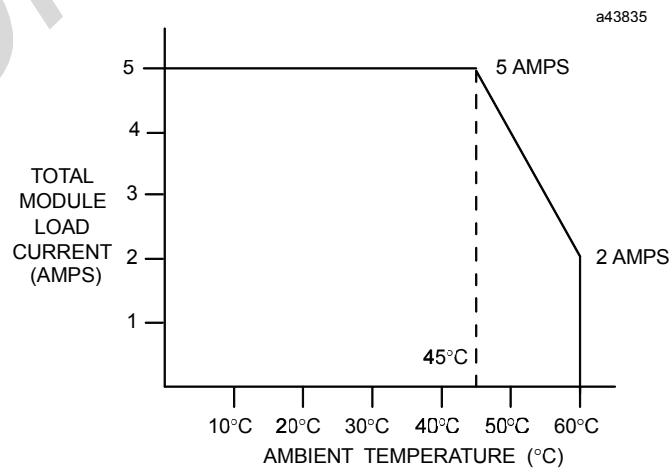


Figure 7-9. Load Current vs. Temperature for IC693MDL390