

GE Fanuc IC694MDL635

<http://www.pdfsupply.com/automation/ge-fanuc/rx3i-pacsystem/IC694MDL635>

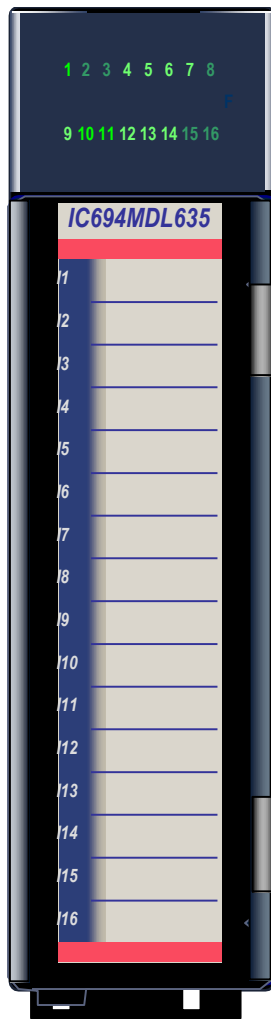
Rx3i PacSystem

Input MDL pos/neg Logic 125 VDC 16 pt. Module

919-535-3180

sales@pdfsupply.com

Input Module, 125 Volt DC Pos/Neg, 16 Point: IC694MDL635



The **125 volt DC Positive/Negative Logic Input** module, IC694MDL635, provides 16 input points in one group with a common power input terminal. This input module can be wired for either positive logic or negative logic. Input characteristics are compatible with a wide range of input devices, such as pushbuttons, limit switches, and electronic proximity switches. Current into an input point results in a logic 1 in the input status table (%I).

Power to operate field devices must be supplied by the user.

Sixteen green LEDs indicate the ON/OFF status of points 1 through 16. The red bands on the label show that MDL635 is a high-voltage module.

This module can be installed in any I/O slot in an RX3i system.

Specifications: MDL635

Rated Voltage	125 volts DC
Input Voltage Range	0 to +150 volts DC
Inputs per Module	16 (one group with a single common)
Isolation: Field to Backplane (optical) and to frame ground	250 VAC continuous; 1500 VAC for one minute
Input Current	1.97mA (typical) at rated voltage
Input Characteristics	
On-state Voltage	90 to 150 volts DC
Off-state Voltage	0 to +30 volts DC
On-state Current	1.41mA minimum
Off-state Current	0.46mA maximum
On response Time	8ms typical
Off response Time	8ms typical
Power Consumption: 5V	80mA (all inputs on) from 5 volt bus on backplane
Power Consumption: 125V	31.5mA from user supplied power (all inputs ON at 125VDC)

Configuration Information

If the module catalog number, IC694MDL635, is found in your configuration software's module list, select it from the list. If it is not listed, configure it as a *16 Circuit Input Generic* discrete input module.

Field Wiring: MDL635

Terminal Block Wiring

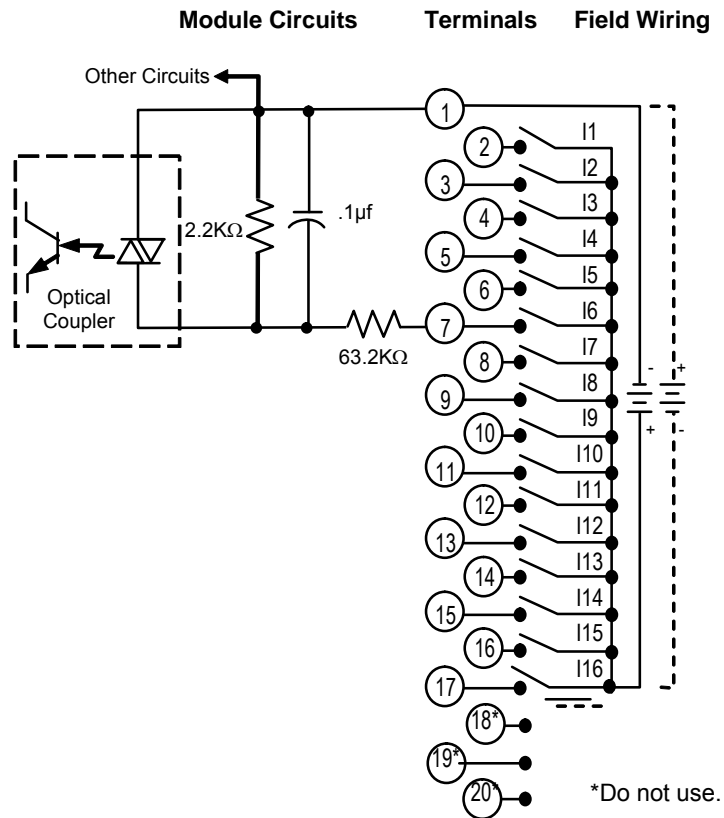
Torque: 9.6 to 11.5 in.-lb (1.08 to 1.30 n-M)

Wiring: Copper conductors stranded or solid 90C rated, One 14-22 AWG or Two 16-22 AWG

Wiring Notes: No combination of solid or stranded wires are to be used in the same terminal.

No combination of different wire sizes are to be used in one terminal.

Terminals	Connections
1	Inputs 1-16 Common
2	Input 1
3	Input 2
4	Input 3
5	Input 4
6	Input 5
7	Input 6
8	Input 7
9	Input 8
10	Input 9
11	Input 10
12	Input 11
13	Input 12
14	Input 13
15	Input 14
16	Input 15
17	Input 16
18	Not used
19	Not used
20	Not used



MDL635 Input Points vs. Temperature

